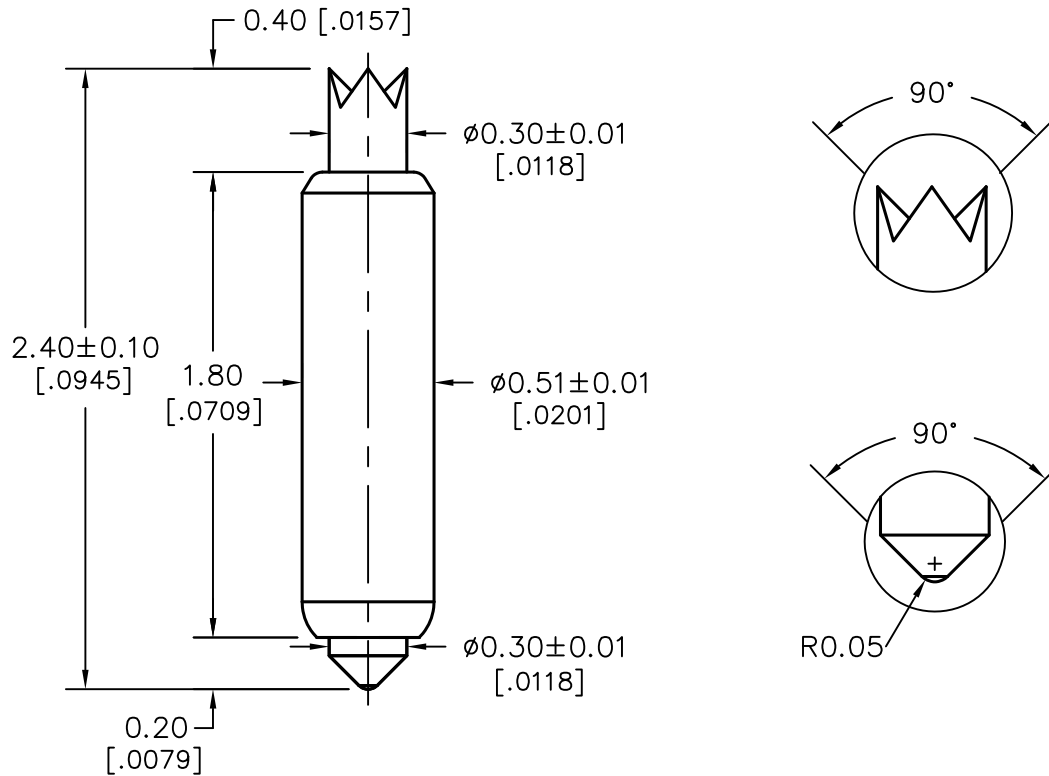


Top



Bottom

Unit : Millimeter[inch]

 Pointing accuracy: ± 0.04 mm

Mechanical:

Spring force: 22g[.5737oz] at 0.40mm[.0157].

Recommended stroke: 0.40mm[.0157].

Full stroke: 0.50mm[0.0197].

Material:

Barrel:	Phosphor Bronze	/Gold plated
Plunger-Top:	Hardened Beryllium copper	/Gold plated
Plunger-Bottom:	Hardened Beryllium copper	/Gold plated
Spring:	Stainless Steel	/No plated

Electrical:

Rated Current: 0.5A Continuous.

Contact Resistance: Less than 100mohm.

All right reserved. No part of this drawing may be copied, reproduced and transmitted in any forms or by any means without written permission of Xinfucheng Shenzhen Electronics Co., Ltd.