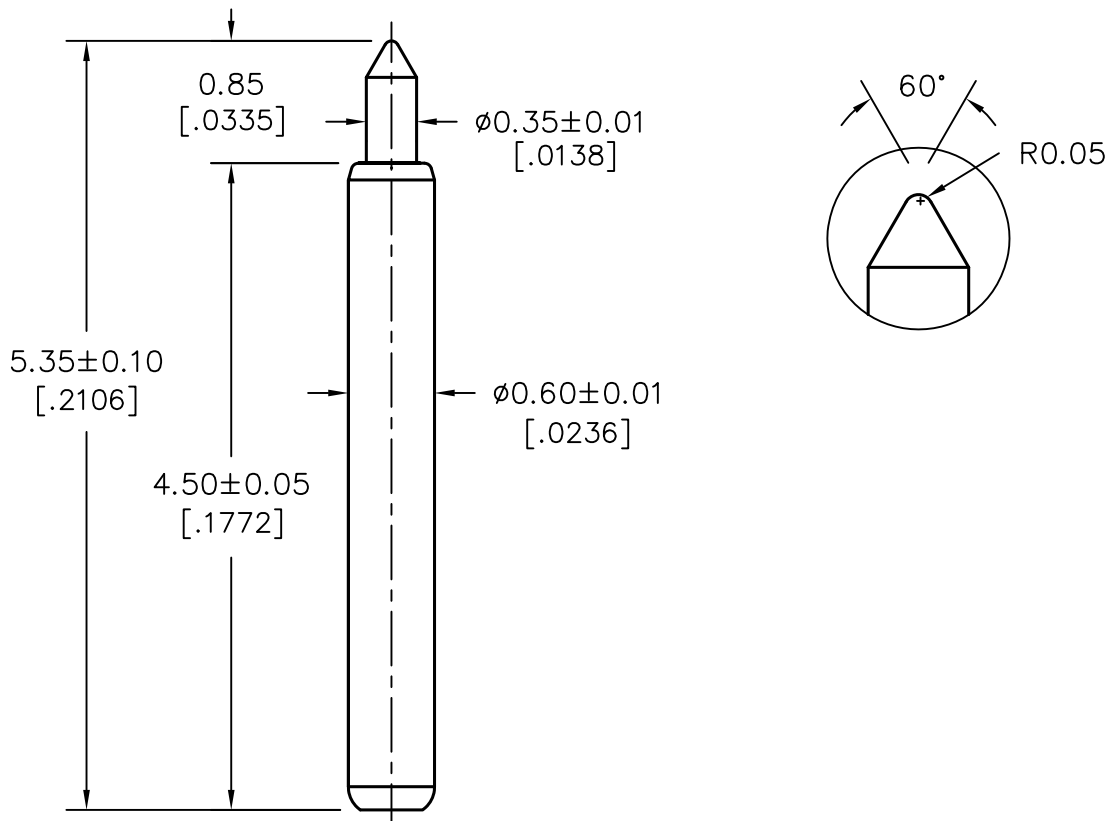


Top



Bottom

Unit : Millimeter[inch]

 Pointing accuracy: $\pm 0.04\text{mm}$
Mechanical:

 Spring force: 35g [1.2346] at 0.65mm [0.0256].

 Recommended stroke: 0.65mm [0.0256].

 Full stroke: 0.85mm [0.0335].

Material:

Barrel:	Phosphor Bronze	/Gold plated
Plunger:	Hardened Beryllium copper	/Gold plated
Spring:	Stainless Steel	/Gold plated

Electrical:

Rated Current: 1.0A Continuous.

Contact Resistance: Less than 100mohm.